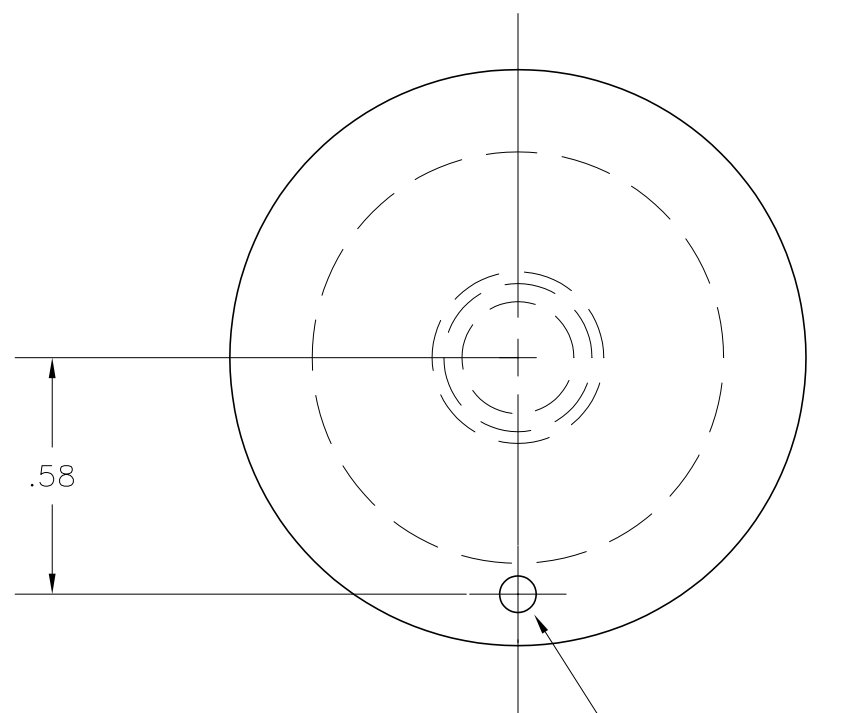
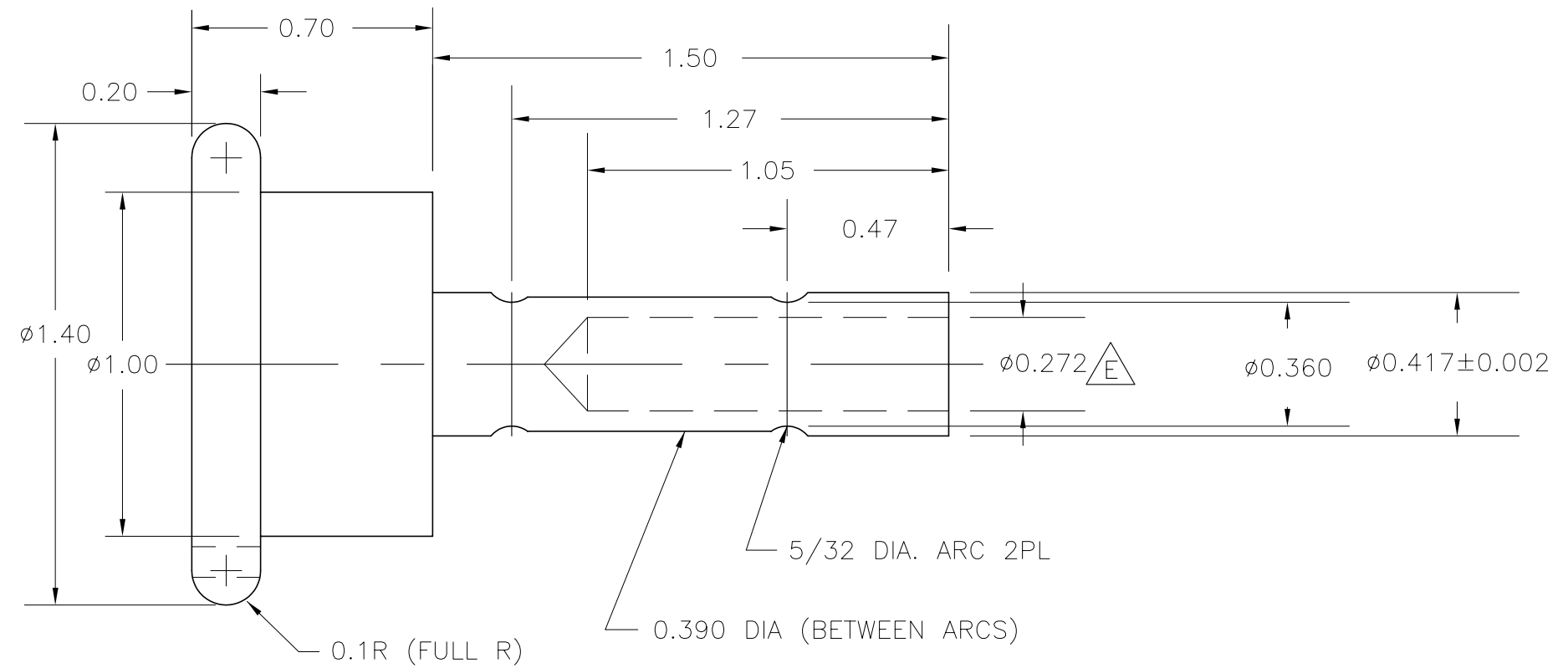


DATE	SYM	REVISION RECORD	AUTH.	DR.	CK.
11/86	A	0.70 DIM CHANGE	AMP		
3/87	B	0.390 DIA CHANGE	AMP		
10/97	C	REDRAW ON AUTOCAD	RMB		
10/99	D	ADDED .089 THRU HOLE		CEG	
2/03	E	DIM CHANGE	DW	KLP	



Ø0.089



NOTES:

1. MATERIAL: ACETAL
2. TOLERANCES UNLESS OTHERWISE NOTED:  
X.XXX = ±0.005  
X.XX = ± 0.01

TOLERANCES	SEA-BIRD ELECTRONICS, INC				
FRACTIONAL	P/N	23155	SCALE	DRAWN BY RMB	
			1:1	APPROVED BY	
DECIMAL	TITLE SEARAM SW MAGNET PLUNGER				
ANGULAR	DATE	DRAWING NUMBER	20193	REV	E
	10/30/97				