



**SEA - BIRD ELECTRONICS, INC.**

1808 136th Place N.E., Bellevue, Washington 98005 USA

Telephone: (425) 643-9866 Telex: 292915 SBEI UR

Fax: (425) 643-9954

email: seabird@seabird.com

DATE	SYM	REVISION RECORD	AUTH	DR	CHK

SBE P/N 50149

**SBE 32 / SeaTech Mount Kit**

*Kit Contents*

SBE P/N	Description	Primary SBE Application	QTY
231114	SeaTech mount clamps	Secure SeaTech to Mount fixture	2
23694	SBE 32 cage 'U' bolt	Secure mount fixture to cage frame bar	2
23906	SBE 32 SeaTech mount block	With 'U' bolts, secures mount plate to cage frame bar	1
23907	Modified SeaTech mount plate	Mount clamps secure to plate	1
30210	Nut, 3/8-16 nylon stop	With washers, fasten 'U' bolt to mount plate	4
30257	Washer, 3/8 flat	With nuts, fasten 'U' bolt to mount plate	4
30377	Screw, 1/4-20 x 1-1/4 socket	Tighten rings against SeaTech sensor	6

**Mount Block Assembly**

**A. Assembling The Mount Kit**

1. Fit plate (23907) and mount block (23906) together, and secure to vertical extension stand bar as shown (SBE DWG 67001). Use 'U' bolts, washers (30257) and nuts (30210).
2. Secure mount clamps to plate with 1/4-20 bolts (30377).
3. Slide SeaTech sensor through mount clamps, and secure clamps with 1/4-20 bolts (30377).

SBE Drawings:

**67001** 12Place SeaTech Mount Kit

Related Assembly: 50149

**PROCEDURE NUMBER: 67001.1**

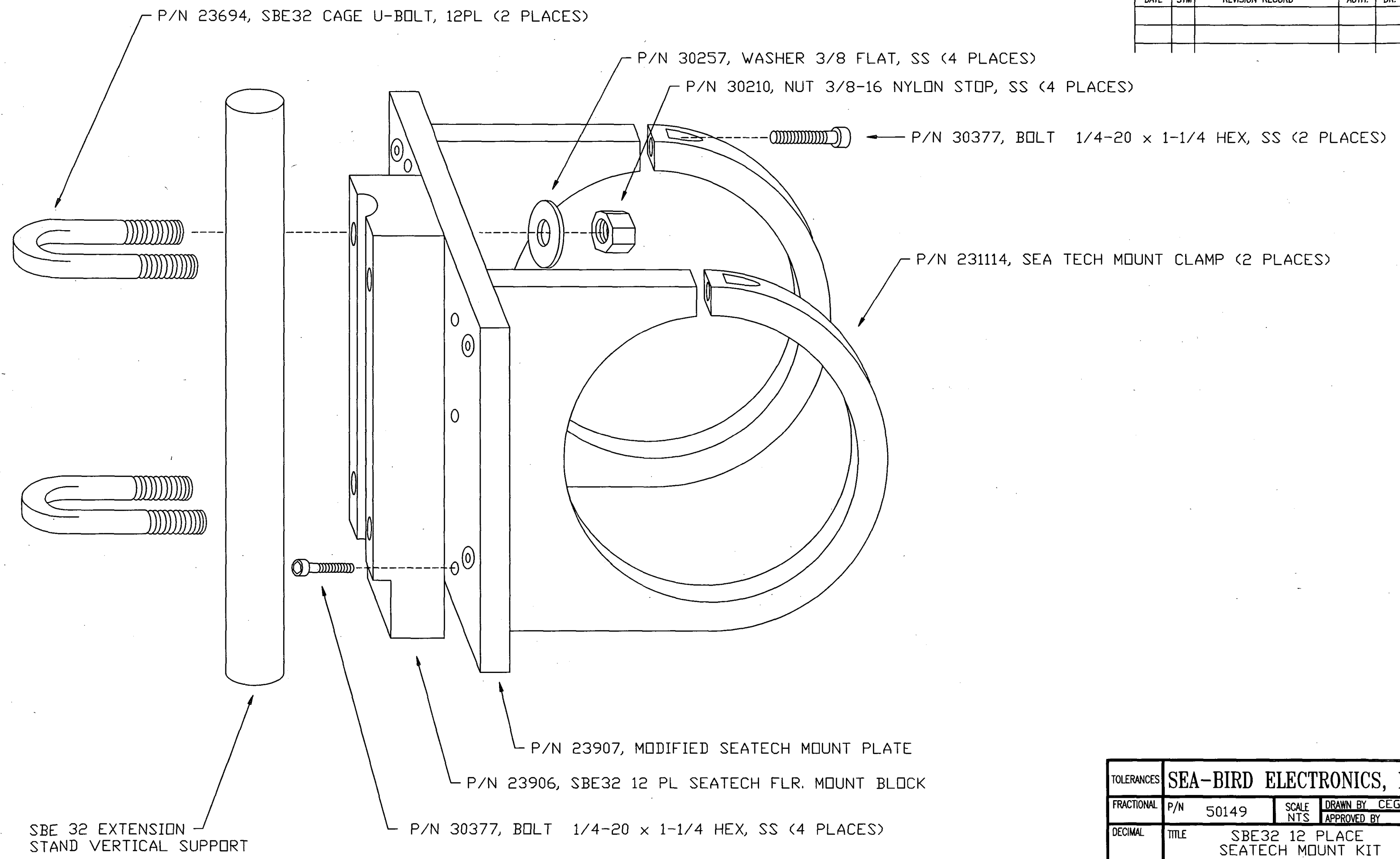
**TITLE: SBE32 12Place SeaTech Mount Kit Assembly**

**REVISION:**

**EFFECTIVE DATE: 03/31/99**

**CHECKED BY:**

DATE	SYM	REVISION RECORD	AUTH.	DR.	CK.



TOLERANCES	SEA-BIRD ELECTRONICS, INC			
FRACTIONAL	P/N 50149	SCALE NTS	DRAWN BY CEG	
DECIMAL	TITLE SBE32 12 PLACE SEATECH MOUNT KIT			
ANGULAR ±1°	DATE 4.30.98	DRAWING NUMBER 67001	REV	