



SEA-BIRD ELECTRONICS, INC.

1808 136th Place N.E., Bellevue, Washington 98005 USA
 Telephone: (425) 643-9866 Telex: 292915 SBEI UR
 Fax: (425) 643-9954 email: seabird@seabird.com

DATE	REV	REVISION RECORD	AUTH	DR	CHK
1.15.04	A	Fixed Bill and drawing revision		KLP	

SBE P/N 50130.1

Sbe32 Compact w/ Rails Hardware Kit

Kit Contents

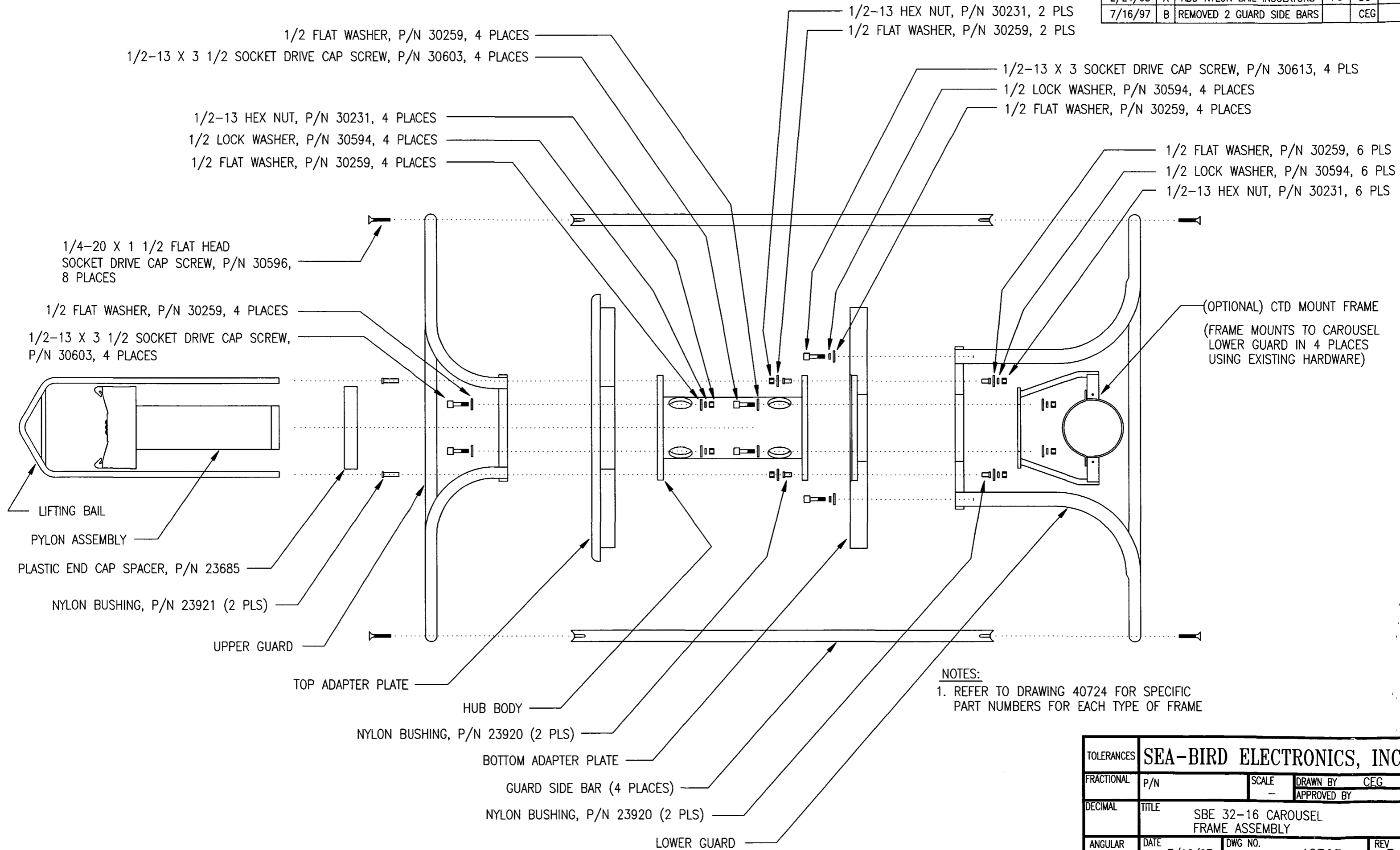
SBE P/N	Manufacturer P/N	Primary SBE Application	QTY
23918	SBE32 Deck Pad, 1" Dia.	Deck Pads Used to protect Carousel Base	6
30044	Seacat Anode, 1"	4 used on upper and lower guards, 4 used on adapter plates	8
30231	Nut, 1/2-13 Hex, SS	Used with upper/lower guards to hub body securing screws	8
30254	Washer, 1/4" split ring lock	6 are used with deck pads	10
30259	Washer, 1/2" Flat Narrow	16 used with upper/lower guard screws (two per screw), 4 on lower guard	20
30377	Cap Screw, 1/4-20 x 1-1/4, socket head, SS	Used with deck pads	6
30570	Washer, 1/4" flat, SS	Used with deck pads	6
30594	Washer, 1/2" Split Ring Lock	8 used with upper/lower guards to hub body securing screws	12
30596	Mach screw, 1/4-20 x 1-1/2 FH	Secure side bars to upper and lower guards on SBE 32C frame	8
30603	Mach screw, 1/2-13 x 3-1/2"	Secure upper and lower guards and adapter plates to hub body	8
30613	Mach screw, 1/2-13 x 3" Soc.	Secure lower guard to bottom adapter plate	4
30666	Bostik Blue Molly	Used on threaded hardware to prevent seizing	1 can

40723B Compact Carousel Assembly
40724B Compact Carousel Frame Parts list
67117 SBE 32 Deck Pad Assembly

Sea-Bird Electronics Procedure

PROCEDURE NUMBER: **67048**
 TITLE: **SBE32 Compact, W/ Rails Kit**
 REVISION: **B**
 EFFECTIVE DATE: **1.15.2004**
 CHECKED BY:

DATE	SYM	REVISION RECORD	AUTH.	DR.	CK.
2/24/95	A	ADD NYLON BAIL INSULATORS	PG	DG	
7/16/97	B	REMOVED 2 GUARD SIDE BARS		CEG	



NOTES:
1. REFER TO DRAWING 40724 FOR SPECIFIC PART NUMBERS FOR EACH TYPE OF FRAME

TOLERANCES	SEA-BIRD ELECTRONICS, INC			
FRACTIONAL	P/N	SCALE	DRAWN BY CEG	
		-	APPROVED BY	
DECIMAL	TITLE SBE 32-16 CAROUSEL FRAME ASSEMBLY			
ANGULAR	DATE 7/16/97	DWG NO. 40723	REV B	

DATE	SYM	REVISION RECORD	AUTH.	DR.	CK.
12.00	A	ADD SC, UPDATE 12-P	MJ	CB	CB
12.03	B	ADDED HUB PN'S	CB	KLP	CB

HUB IS NOT INCLUDED:		HUB PART NUMBERS		HUB IS INCLUDED:	
6800M	7000M	10,500M	6800M	7000M	10,500M
90411, 12/16-Position	90415, 12/16-Position	90418, 12/16-Position	90422, 12/16-Position		
90412, 16-Position			90423, 16-Position		
Subconn					
90478, 12/16-Position	90481, 12/16-Position				
90485, 16-Position					

BOTTLE MOUNT STAND		GUARD		GUARD SIDE BAR	CTD MOUNT FRAME		PYLON ASSEMBLY		ADAPTER PLATES		LIFTING BAIL		
DESCRIPTION	PRICE LIST P/N	UPPER	LOWER		SBE P/N	PRICE LIST P/N	ALUMINUM	TITANIUM	SBE P/N	PRICE LIST P/N		TOP	BOTTOM
12 BOTTLE													
1.2 - 8 LITER		23795C	23792C	23790C	23844C		90212U			23794C	23793C		23678
12 LITER		23795C	231423C	231422C	23844C		90212			23794C	23793C		23678
16 BOTTLE													
1.2 - 8 LITER		23795C	23792C	23790C	23844C		90212U			23794C	23793C		23678
SUB-COMPACT													
12 BOTTLE / 1.7-L		231038C	231068C				90212U			231035C	231036C		23678
12 BOTTLE / 2.5-L		231038C	231037C				90212U			231035C	231036C		23678

NOTES:

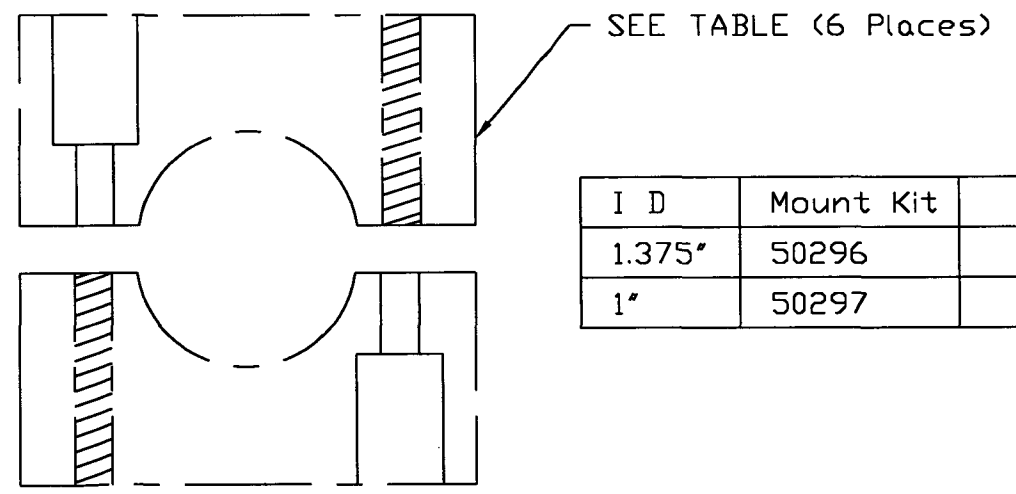
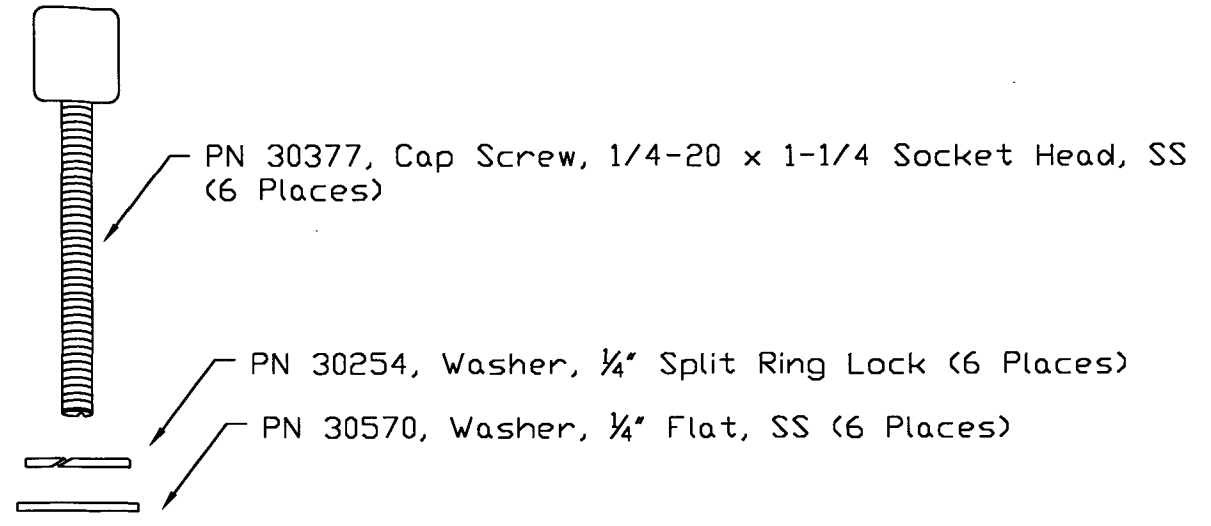
- REFER TO FRAME ASSEMBLY DRAWING 40723 FOR PART LOCATIONS.
- PYLON ASSEMBLY: PART NUMBERS SHOWN ON CHART ARE FOR SINGLE CONNECTOR END CAP.
ADD .1 TO P/N FOR 3 CONNECTOR END CAP (IE 90212 BECOMES 90212.1)

TOLERANCES	SEA-BIRD ELECTRONICS, INC				
FRACTIONAL	P/N	SCALE	DRAWN BY DG		
	SEE TABLE	-	APPROVED BY		
DECIMAL	TITLE SBE 32-16 CAROUSEL FRAME COMPONENTS				
ANGULAR	DATE	DWG NO.	REV		B
	7/26/94	40724			

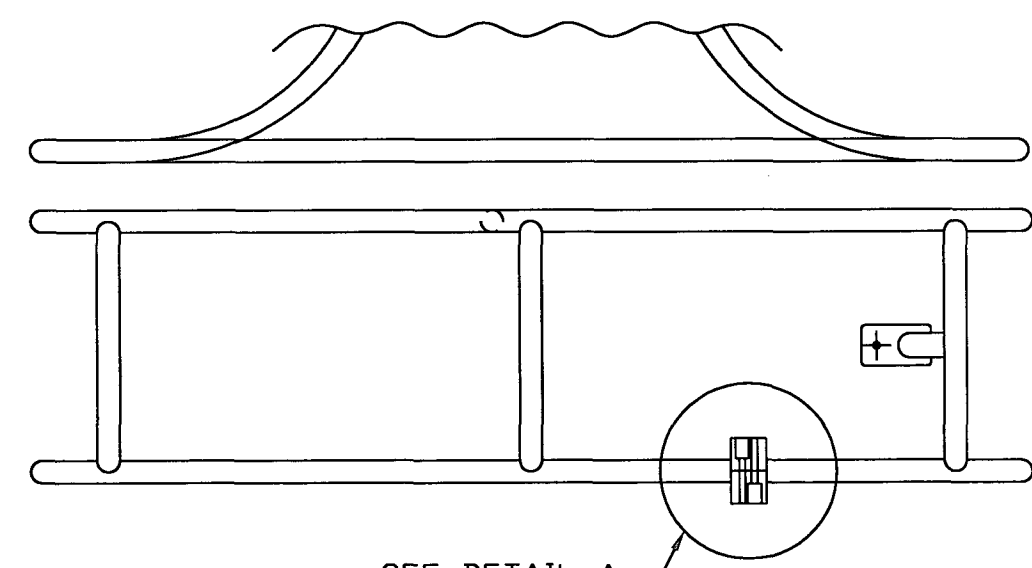
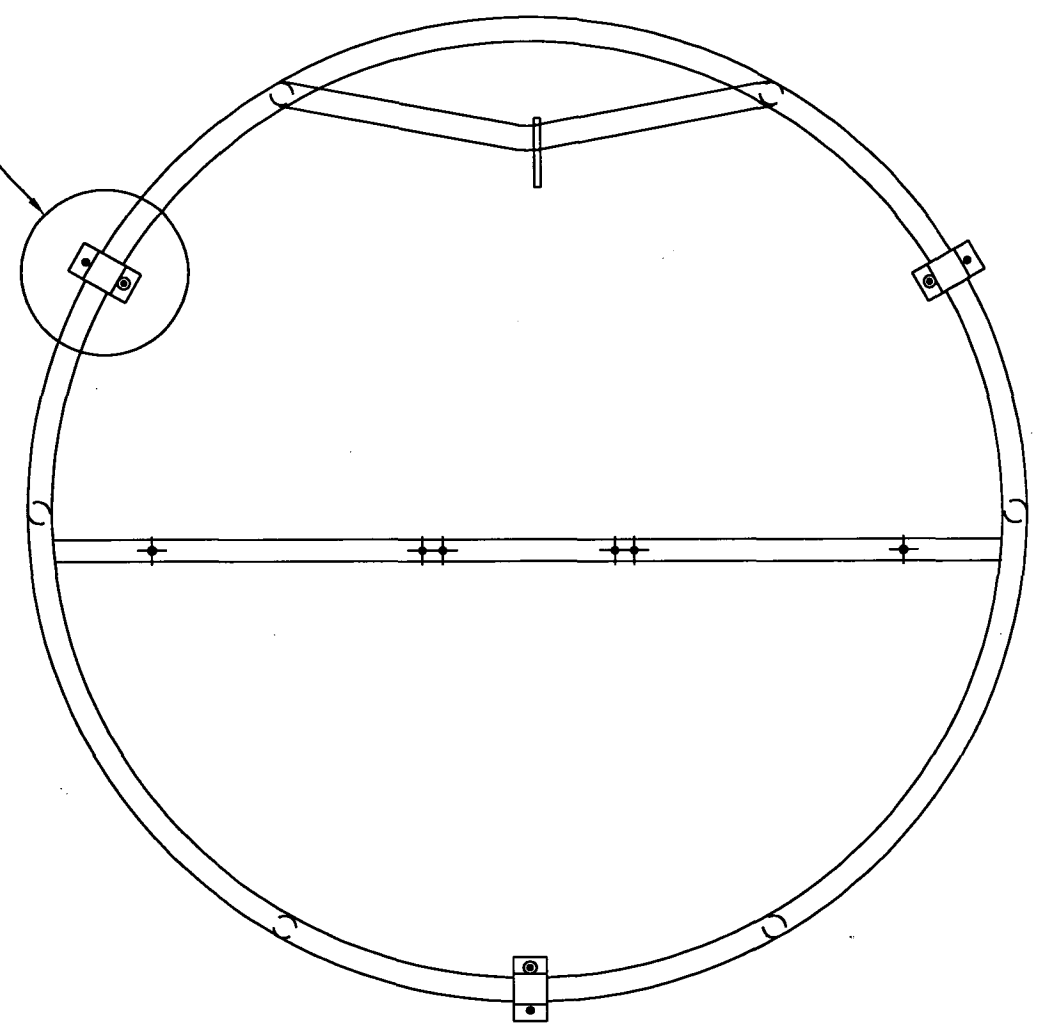
DATE	SYM	REVISION RECORD	AUTH.	DR.	CK.

DETAIL A:

SEE DETAIL A:



I D	Mount Kit	Mount Block
1.375"	50296	PN 23919, SBE32 Deck Pad, 1.375" Dia
1"	50297	PN 23918, SBE32 Deck Pad, 1" Dia



TOLERANCES	SEA-BIRD ELECTRONICS, INC				
FRACTIONAL	P/N	Varies	SCALE	DRAWN BY	MJ
DECIMAL	TITLE		NTS	APPROVED BY	
ANGULAR	DATE	DRAWING NUMBER	REV		
	11.12.01	67117			

01/12/01