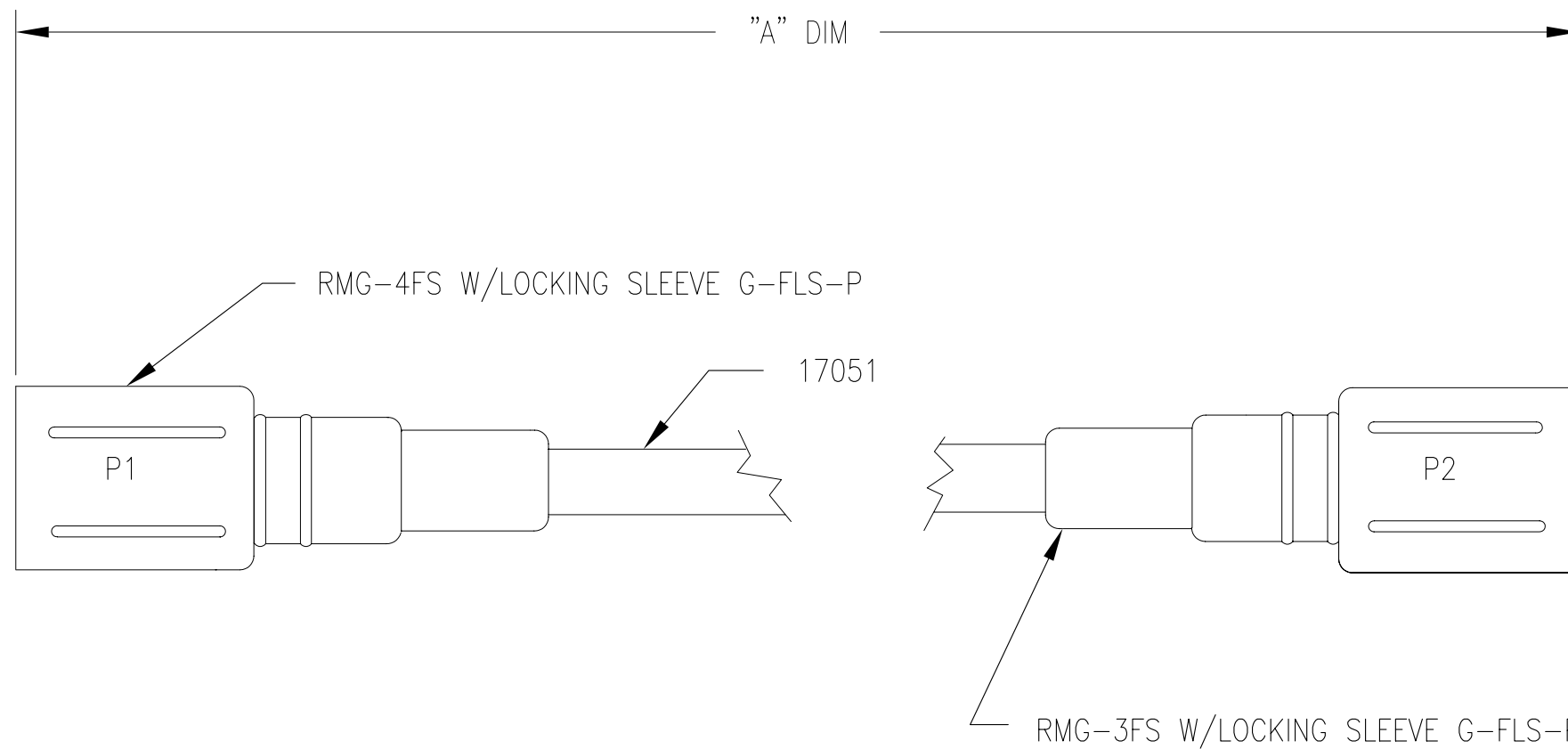
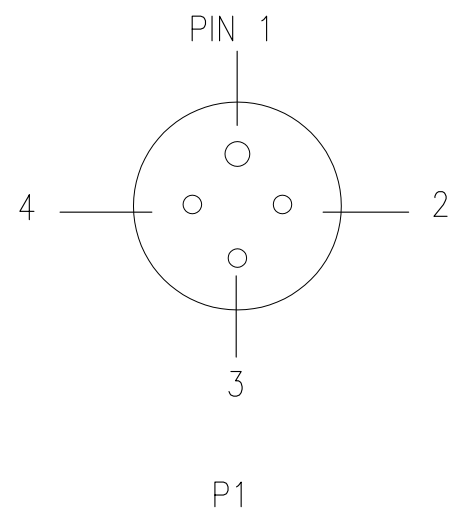


DATE	SYM	REVISION RECORD	AUTH.	DR.	CK.



SBE PART NO	A DIM
17821	48 IN
17884	72 IN
171979	36 IN
172014	24 IN

P1	P2
PIN 1	PIN 1
PIN 2	PIN 2
PIN 3	PIN 3
PIN 4	N/C

TOLERANCES	SEA-BIRD ELECTRONICS, INC		
FRACTIONAL	P/N SEE TABLE	SCALE 1:1	DRAWN BY BMC
DECIMAL	TITLE CABLE, 4 PIN / 3 PIN RMG-4FS TO RMG-3FS		
ANGULAR	DATE 6/6/94	DRAWING NUMBER 31670	REV