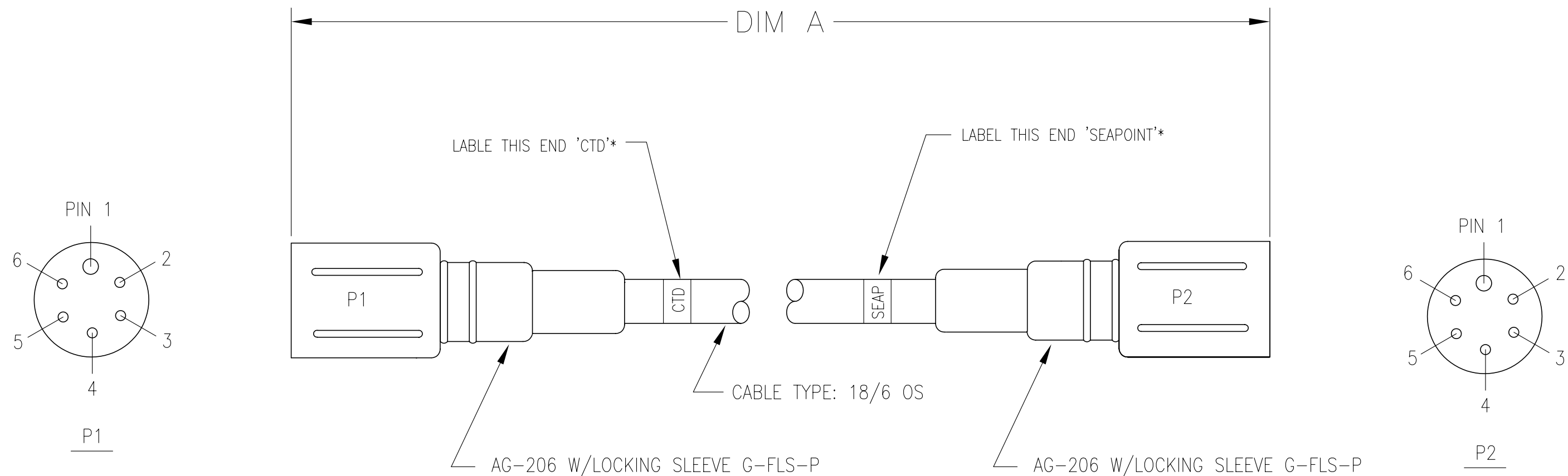


DATE	REV	REVISION RECORD	AUTH.	DR.	CK.
7.1.97	A	ADDED GAIN TABLE		CEG	
10.6.99	B	ADDED LABEL WARNING		CEG	
5.12.05	C	ADDED CDOM TO TABLE	CB	KLP	



SBE PN	DIM A
171099	42 IN.
171281	30 IN.
171607	80 IN.
171781	66 IN.

P1	P2
PIN 1	PIN 1,5,6
PIN 2	PIN 2
PIN 3	PIN 3
PIN 4	-
PIN 5	-
PIN 6	PIN 4

SEAPOINT	GAIN	RANGE
TURBIDITY METER	1X	>500 FTU
FLUOROMETER	1X	150 $\mu\text{g/l}$
\triangle CDOM (SUVF)	1X	1500 $\mu\text{g/l}$

*WARNING: LABEL PLACEMENT ON CABLE ENDS IS CRITICAL. IMPROPER LABELING WILL RESULT IN DAMAGED INSTRUMENTS. PLEASE USE CABLE TESTING PROCEDURES TO VERIFY P1 AND P2 LABELS ARE CORRECTLY AFFIXED.

TOLERANCES	SEA-BIRD ELECTRONICS, INC		
FRACTIONAL	P/N SEE TABLE	SCALE NTS	DRAWN BY CEG
DECIMAL	TITLED APPROVED BY		
ANGULAR	DATE 7.21.97	DRAWING NUMBER 32073	REV C
CABLE: SBE 19/25 TO SEAPOINT			