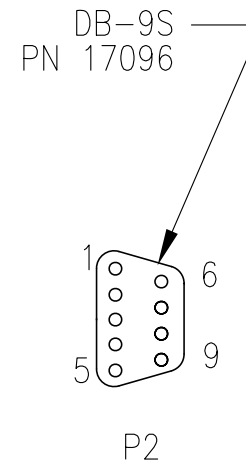
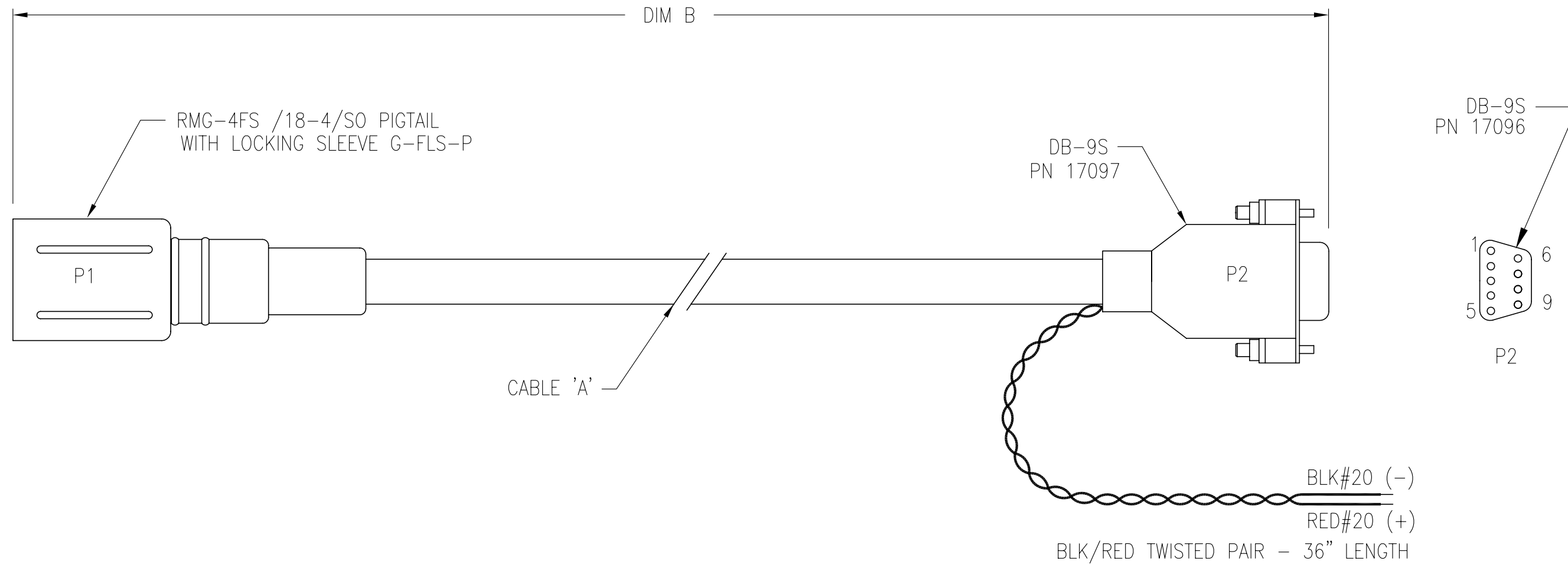


DATE	SYM	REVISION RECORD	AUTH.	DR.	CK.
6.19.02	A	CHANGED PIN ASSIGNMENTS	CB	KLP	-
4.3.07	B	UPDTAE LENGTHS	CB	CB	-



SBE PN	CABLE 'A' PN	DIM B	
		FEET	METER
801133	17267	17 FT	5 METER
801302	171572	200 FT	60.9 METER
801355	17114	65.6 FT	20 METER
801385	17031	8 FT	2.4 MEER
801461	17106	35 FT	10.6 METER
801560	17117	98.5 FT	30 METER



P1	RMG-4FS	P2	DB-9S	BLK/RED PAIR
PIN 1	WHITE	PIN 5		BLK
PIN 2	BLACK	PIN 3		
PIN 3	GRN	PIN 2		
PIN 4	RED			RED

TOLERANCES	SEA-BIRD ELECTRONICS, INC			
FRACTIONAL	P/N	SCALE	DRAWN BY RMB	
	SEE TABLE	NTS	APPROVED BY	
DECIMAL	TITLECABLE: RMG-4FS TO DB-9S ASSEMBLY W/ POWER LEADS			
ANGULAR	DATE	DRAWING NUMBER	REV	
	3.26.99	32277	B	