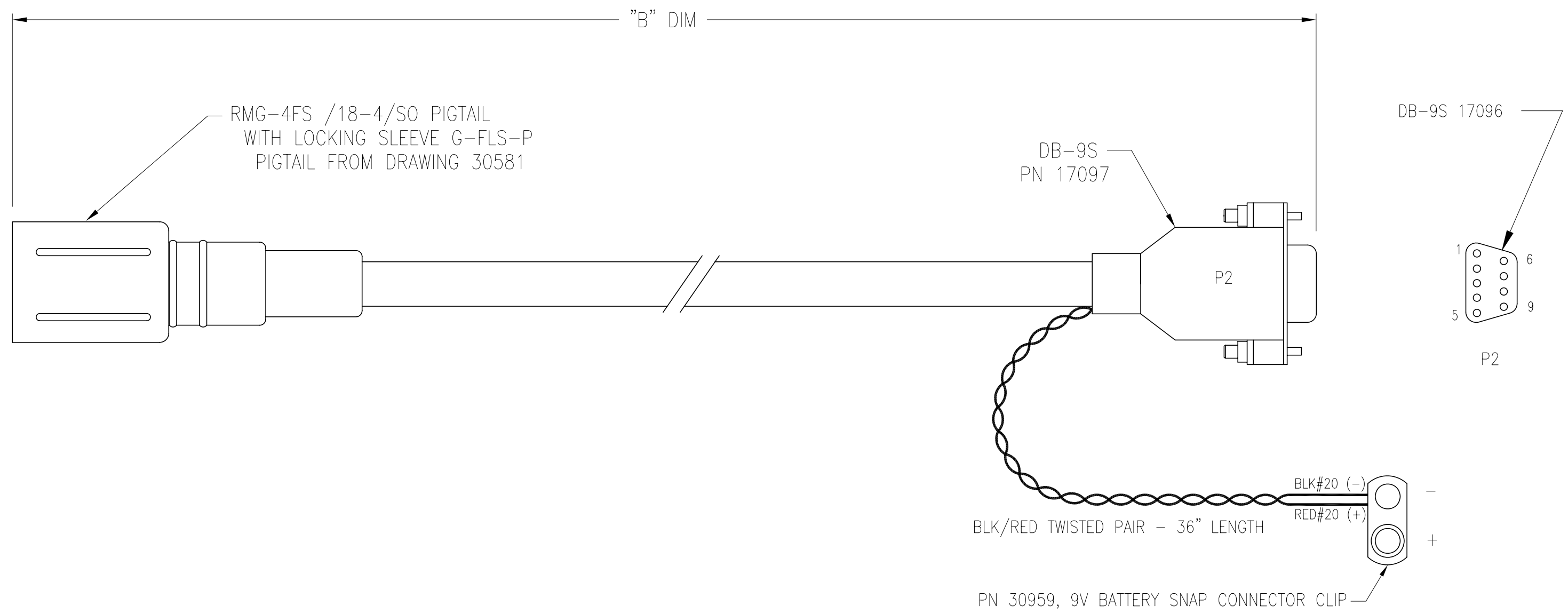


DATE	SYM	REVISION RECORD	AUTH.	DR.	CK.
1.2.01	A	Corrected Wiring	CB	MJ	CB
6.9.06	B	Corrected Cable Dimensions	CB	PL	CB



P1	RMG-4FS	P2	DB-9S Δ	BLK/RED PAIR
PIN 1	WHITE	PIN 5		BLK
PIN 2	BLACK	PIN 3		
PIN 3	GRN	PIN 2		
PIN 4	RED	---		RED

ASSY PN	CABLE A PN	DIM B	
801311	171333	20 FEET	6 METER
801376	17031	8 FEET	2.4 METER
801629	171632	25 FEET	7.6 METER Δ
801637	17106	35 FEET	10.6 METER Δ

SEA-BIRD ELECTRONICS, INC

P/N	SCALE	DRAWN BY	PMC
SEE TABLE	NTS	APPROVED BY	CB
CABLE: RMG-4FS TO DB-9S W/BATT CONN ASSEMBLY			
DATE	DWG NO.	SHEET	REV
10/10/01	32604	1 of 1	B