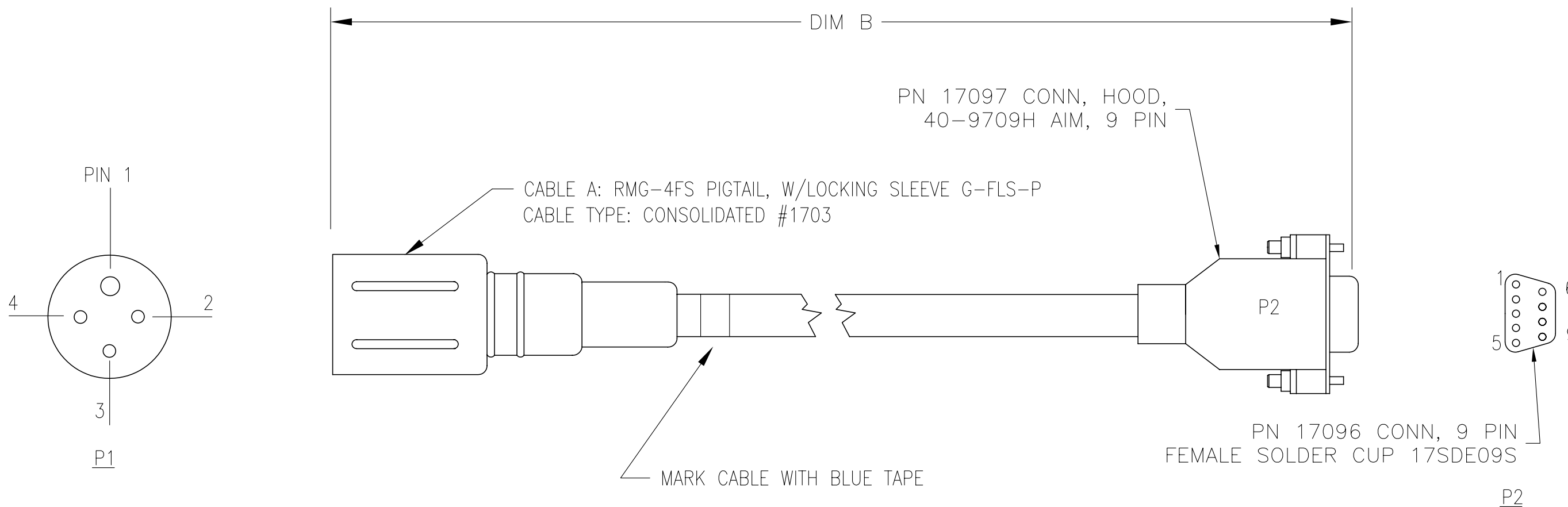


DATE	SYM	REVISION RECORD	AUTH.	DR.	CK.



RMG-4FS TO DB-25S CABLE ASSEMBLIES			
SBE PN	PIGTAIL PN	LENGTH	
		'B' (FT)	'B' (m)
801435	17831	8	2.5
801436	17221	66	20
801569	17764	27	8.5
801616	17204	33	10

PIGTAILS ARE PURCHASED PER DWG 30585

P1 RMG-4FS	COLOR	P2 DB-9S
PIN 1	SHIELD	PIN 5
PIN 2	BLACK	PIN 3
PIN 3	WHITE	PIN 2
PIN 4	RED	PIN 4

TOLERANCES	SEA-BIRD ELECTRONICS, INC			
FRACTIONAL	P/N SEE TABLE	SCALE NTS	DRAWN BY KLP APPROVED BY	
DECIMAL	TITLE CABLE, AUTO-FIRE DATA I/O			
ANGULAR	DATE 5.29.03	DRAWING NUMBER	32808	REV