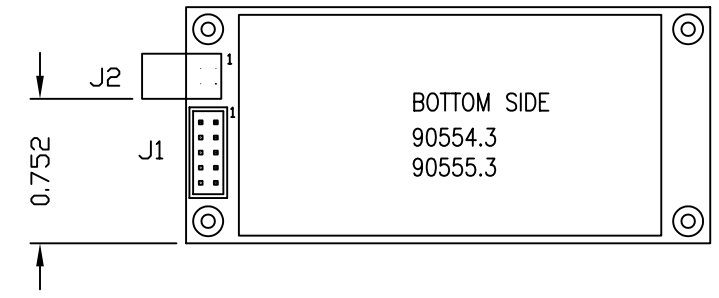
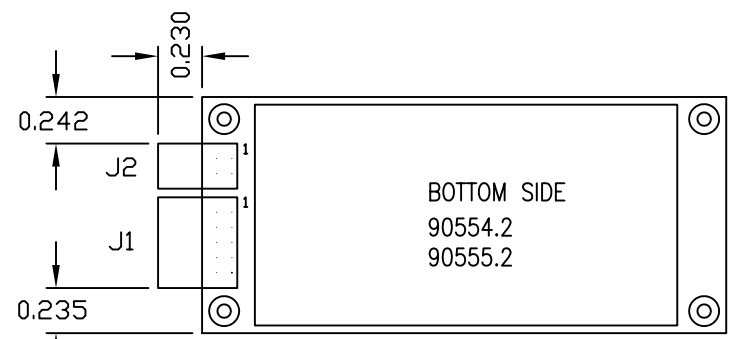
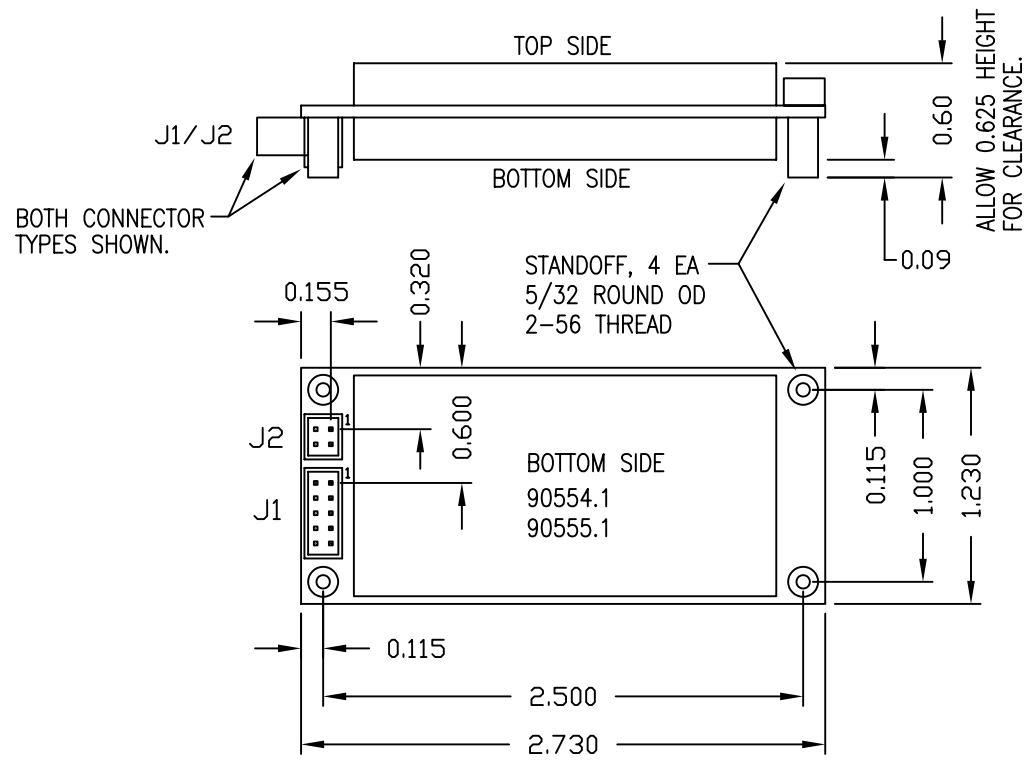
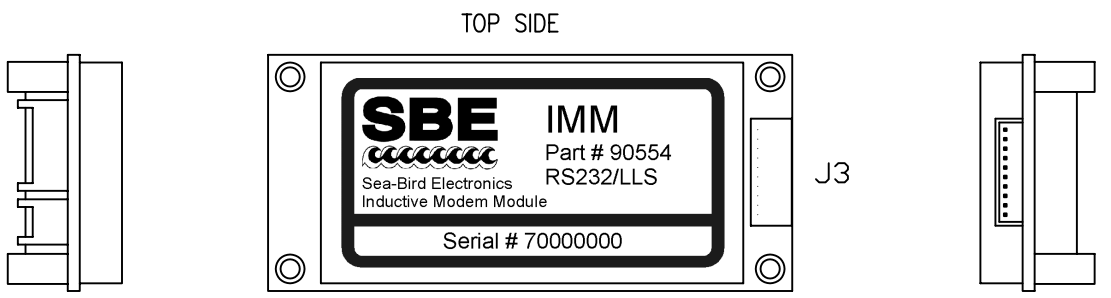


DATE	SYM	REVISION RECORD	AUTH.	DR.	CK.



IMM OPTIONS		J1 CONNECTOR - 10 PIN			J2 CONNECTOR - 4 PIN		
TYPE	SBE PN	TYPE	HIROSE PN	SBE PN	TYPE	HIROSE PN	SBE PN
RS232/LLS* *(LOGIC LEVEL SERIAL)	90554.1	STRAIGHT	DF11-10DP-2DSA(01)	172076	STRAIGHT	DF11-4DP-2DSA(01)	172113
	90554.2	RIGHT ANGLE	DF11-10DP-2DS(52)	172114	RIGHT ANGLE	DF11-4DP-2DS(52)	172077
	90554.3	STRAIGHT	DF11-10DP-2DSA(01)	172076	RIGHT ANGLE	DF11-4DP-2DS(52)	172077
RS485	90555.1	STRAIGHT	DF11-10DP-2DSA(01)	172076	STRAIGHT	DF11-4DP-2DSA(01)	172113
	90555.2	RIGHT ANGLE	DF11-10DP-2DS(52)	172114	RIGHT ANGLE	DF11-4DP-2DS(52)	172077
	90555.3	STRAIGHT	DF11-10DP-2DSA(01)	172076	RIGHT ANGLE	DF11-4DP-2DS(52)	172077

J1 MATING CONNECTOR - 10 PIN		
TYPE	HIROSE PN	SBE PN
PC MOUNT	DF11-10DS-2DSA(01)	172115
CABLE MOUNT	DF11-10DS-2C	172101

J2 MATING CONNECTOR - 4 PIN		
TYPE	HIROSE PN	SBE PN
PC MOUNT	-	-
CABLE MOUNT	DF11-4DS-2C	172102

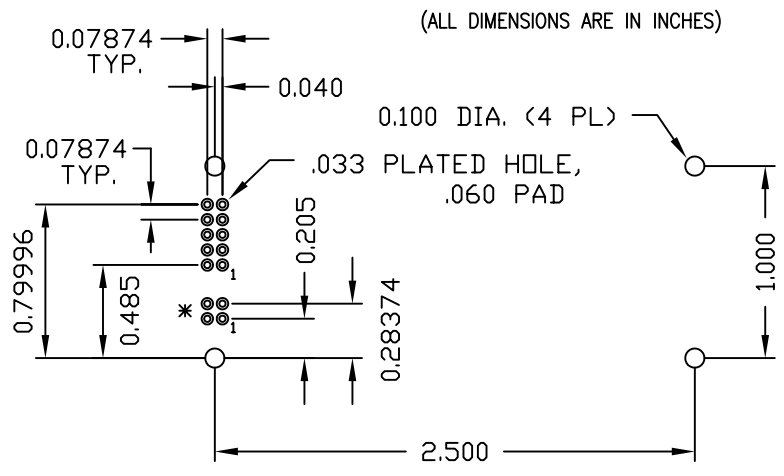
IMM Pin Descriptions				
J1		RS485		
Pin Number	Signal	Description	Signal	Description
1	IM Coil +	Positive side of IM coil (connect to center if using coax)	IM Coil +	
2	IM Coil -	Negative side of IM coil (connect to shield if using coax)	IM Coil -	
3	HostFlag	Hardware Handshaking logic-level input	HostFlag	
4	IMFlag	Hardware Handshaking open collector output	IMFlag	
5	LL Rx	Logic-level Receive input	Rx-	Rs485 receive - signal
6	RS232 Rx	RS232 Receive signal	Rx+	Rs485 receive + signal
7	LL Tx	Open collector Transmit output	Tx-	Rs485 transmit - signal
8	RS232 Tx	RS232 Transmit signal	Tx+	Rs485 transmit + signal
9	Vin +	Power supply 6.0 - 30VDC	Vin +	
10	GND	Power supply return	GND	

J2 is optional, it may be used to connect the IMM to the inductive cable coupler without routing the sensitive IM Coil connection through the Host PCB.

J2 (same for RS232/LLS and RS485 versions)				
Pin Number	Signal	Description		
1	IM Coil +	Positive side of IM coil (connect to center if using coax)		
2	GND	Power supply return (IM coil shield if using twinax cable)		
3	IM Coil -	Negative side of IM coil (connect to shield if using coax)		
4	Vin +	Power supply 6.0 - 30VDC, same as pin 9 on J1		

Note: the IM coil itself has no polarity. The IM receiver circuit has polarity.

RECOMMENDED PRINTED CIRCUIT LAYOUT



* 4 PIN CONNECTOR IS NOT REQUIRED. ALL PINS OF THE 4 PIN CONNECTOR ARE DUPLICATED ON THE 10 PIN CONNECTOR.

SEA-BIRD ELECTRONICS, INC

PART NO.	SEE TABLE	BD SCALE	1.00	DRWN BY	DG
SCHEM	-	PL SCALE	0.90	APPR BY	DLM
TITLE					
INDUCTIVE MODEM MODULE, SPECIFICATION					
DATE	9/8/05	DWG NO.	41453	REV	-